

2.5” HDD Enclosure Kit

User’s Manual

Introduction	2
Important Reminders for all Enclosures	2
Important Reminders for Encrypted HDD Enclosures	2
Getting Started	4
Assembling the 2.5” HDD Enclosure Kit	5
Connecting the Enclosure Kit to a Computer	9
Driver Installation Windows 98 [®] SE	12
Verify Installation.....	15
Notices and Classifications	16

Introduction

Thank you for purchasing the 2.5" HDD Enclosure Kit.

The 2.5" Aluminum HDD Enclosure Kits enable users to take advantage of blazing fast IEEE 1394(b) and/or USB 2.0 standards with most generic 2.5" x 9.5mm IDE Hard Disk Drive (HDD). Simply follow the installation process to begin using the Enclosure Kit.

Please thoroughly read and follow the instructions provided in this manual. Failure to do so may result in damage to the Enclosure Kit and any or all of the connected devices.

Important Reminders for all Enclosures

- 1) The main circuit board of the HDD enclosure is susceptible to static electricity. Proper grounding is required to prevent electrical damage to the enclosure or other connected devices, including the computer host. Always place the HDD enclosure on a smooth surface and avoid all dramatic movement, vibration and percussion.
- 2) Do NOT allow water to enter the HDD enclosure unit.
- 3) Avoid placing the HDD enclosure unit close to magnetic devices (such as a mobile phone), high-voltage devices (such as a hair dryer), or near a heat source (such as on the dashboard of a car or any place where the enclosure will be subject to direct sunlight).
- 4) The operating system may NOT detect the HDD enclosure if it does not support the interface of your HDD enclosure. If so, installation of an appropriate driver on the host computer is required.
- 5) Ensure that only a 9.5mm high 2.5" HDD is used in the enclosure kit. The Enclosure will not function if an older model HDD with a different thickness is used. Additionally the enclosure and other equipment may be damaged.

Important Reminders for Encrypted HDD Enclosures

For encrypted HDD enclosure models, please note the following.

Before Installation

You will be required to partition and format the hard drive after installing it in the enclosure. Always perform partition and format functions with the secure key plugged in. Otherwise the hard drive cannot be encrypted. After formatting the hard drive the secure key can be safely removed and the enclosure will operate normally. Performing partition and format operations will erase all the data on the disk. If you are adding a new disk, then no backup is required. Otherwise, you are advised to back up the disk. WE ARE NOT RESPONSIBLE FOR ANY LOST DATA.

After Installation

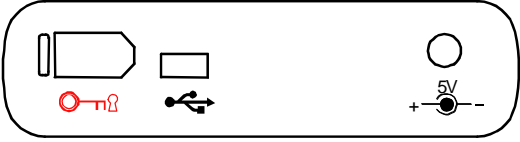
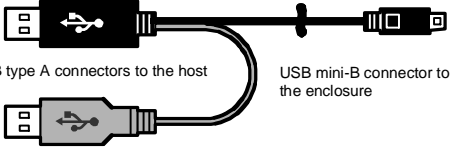
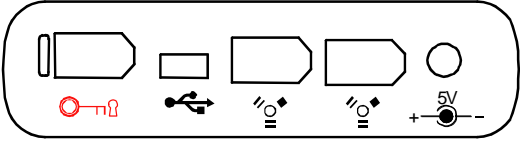
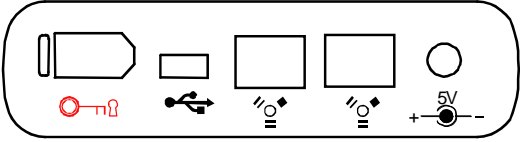
- 1) Since the IEEE 1394 bus powers the IEEE 1394(b)/USB 2.0 enclosure; the secure key must be inserted before the IEEE 1394(b) connector. If the secure key is not inserted first, the host computer may not recognize the enclosure.

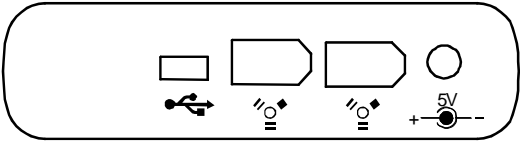
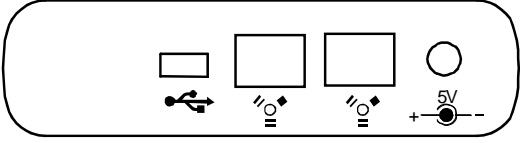
Similarly, the secure key must first be inserted in the encrypted USB 2.0 enclosure with USB Y-cable.

- 2) Plug in the secure key every time you connect the HDD enclosure to the host. You may remove the secure key after the host computer has detected the HDD enclosure.
- 3) Always keep the secure key with you. You will be required to insert the secure key when you power on the encrypted enclosure. Without the secure key, the host is not able to detect the encrypted enclosure when powered on. The HDD enclosure can be accessed without the secure key as long as the HDD enclosure is powered on.
- 4) The host cannot access the HDD when the enclosure LED indicator is red. A red LED indicator means no key is inserted. If the LED indicator is red you must completely power off the encrypted enclosure, insert the secure key, then power on the enclosure again.

Getting Started

The installation instructions in this manual apply to the following models. Please review the package contents for each model:

Encrypted Enclosures	
<p>USB 2.0 HDD Enclosure w/Security</p> 	<p>Package Contents</p> <ul style="list-style-type: none"> • Enclosure x 1 • USB Y-cable x 1 (shown below)  <p>USB type A connectors to the host</p> <p>USB mini-B connector to the enclosure</p> <ul style="list-style-type: none"> • Quick Start Guide • Secure key x 2 (or 3) • AC Power Adapter x 1 (Optional)
<p>USB2.0/FireWire HDD Enclosure w/Security</p> 	<p>Package Contents</p> <ul style="list-style-type: none"> • Enclosure x 1 • USB-A to mini B cable x 1 • IEEE 1394 cable x 1 • Quick Start Guide • Secure key x 2 (or 3) • AC Power Adapter x 1
<p>USB2.0/FireWire800 HDD Enclosure w/Security</p> 	<p>Package Contents</p> <ul style="list-style-type: none"> • Enclosure x 1 • USB-A to mini B cable x 1 • IEEE 1394b cable x 1 • Quick Start Guide • Secure key x 2 (or 3) • AC Power Adapter x 1

Standard Enclosures	
USB2.0/FireWire HDD Enclosure 	Package Contents <ul style="list-style-type: none"> • Enclosure x 1 • USB-A to mini B cable x 1 • IEEE 1394 cable x 1 • Quick Start Guide • AC Power Adapter x 1
USB2.0/FireWire800 HDD Enclosure 	Package Contents <ul style="list-style-type: none"> • Enclosure x 1 • USB-A to mini B cable x 1 • IEEE 1394b cable x 1 • Quick Start Guide • AC Power Adapter x 1

System Requirements

PC

- 266MHz or faster CPU
- 64MB of RAM
- Microsoft Windows 98SE, ME, 2000, XP
- One available USB port and/or IEEE 1394(b) port depending on the model

Note:

- Windows® does not currently support the IEEE 1394b data transfer rate of 800 Mbps. Future releases of Windows® XP, however, will support IEEE 1394b.
- Windows 98® SE does not provide native support for USB Mass Storage Class devices. To use the HDD enclosure with systems running Windows 98® SE you may need to install a 3rd party mass storage driver.

Macintosh

- Macintosh PowerPC processor
- Mac OS 9.X or newer
- One available USB port and/or IEEE 1394(b) port

Notes:

- Installation of the HDD enclosure via USB 2.0 requires Mac OS X 10.1.5/10.2.X with USB 2.0 driver installed, or Mac OS 10.2.8 or newer. Mac OS 9.X supports full speed USB only.
- Operation of the HDD enclosure via FireWire 800 (1394b) requires Mac OS X 10.2.4 or newer.

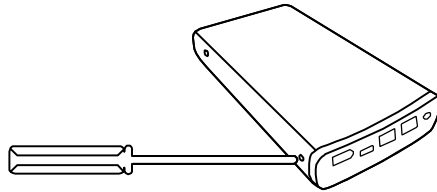
Assembling the 2.5" HDD Enclosure Kit

To begin using the 2.5" HDD Enclosure Kit, simply place your 2.5", IDE Hard Disk Drive in the Enclosure Kit, and if required, install the software.

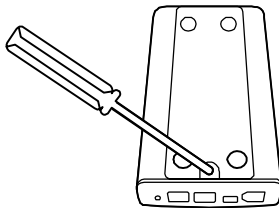
Hard Drive Installation

Install a hard disk drive in the enclosure kit by completing the following steps.

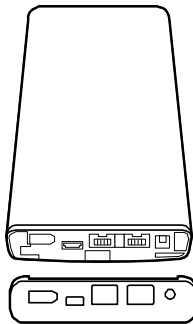
- 1) Disassemble the rear panel covering the connection interface from the housing by removing one screw from each side of the housing with a Phillips screwdriver.



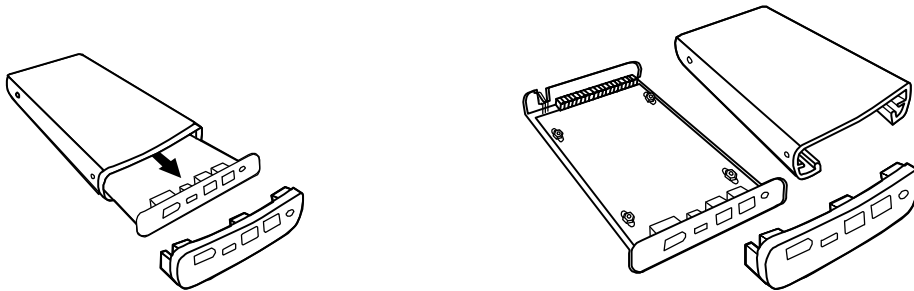
- 2) Remove the screw from the bottom of the Enclosure Kit.



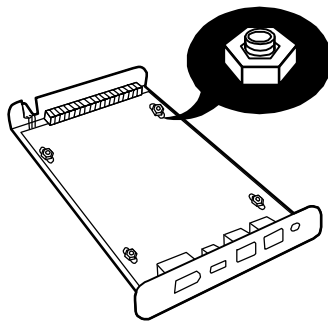
- 3) Carefully remove the rear panel from the enclosure.



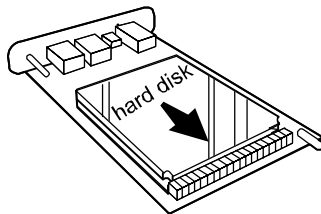
4) Carefully slide the bottom panel out of the enclosure housing.



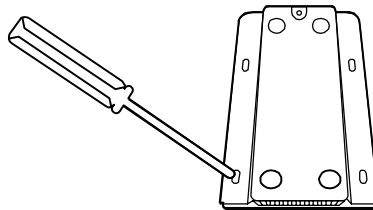
5) Remove the (4) screws from the control board by loosening the plastic caps.



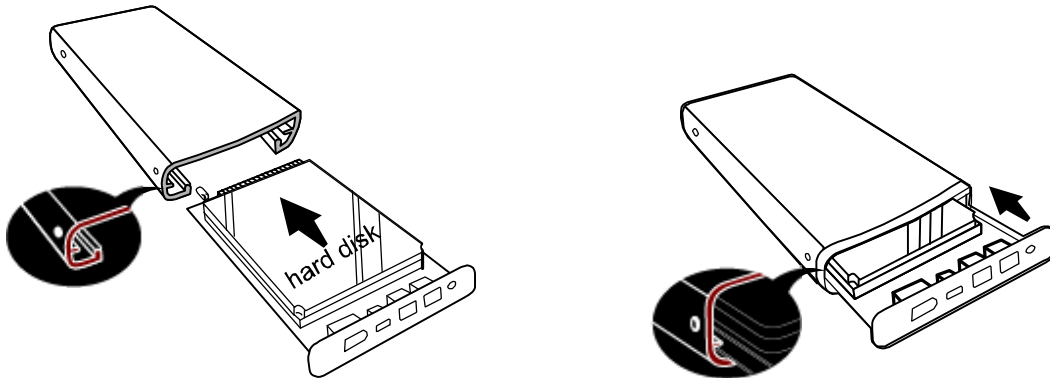
6) Gently slide the Hard Drive into place. When properly inserted, part of the IDE plug will be slightly offset.



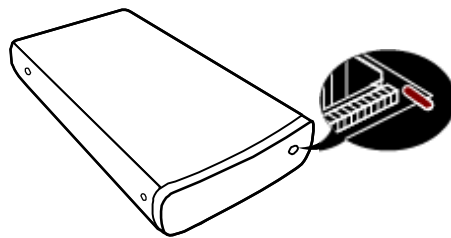
7) Insert and tighten the (4) screws to fasten the hard drive to the base



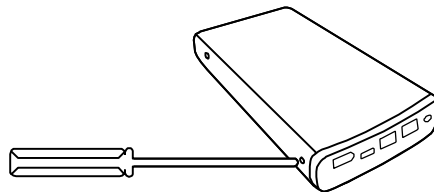
- 8) Align the edges of the hard drive platform with the integral rails and carefully slide the assembled platform into the enclosure housing.



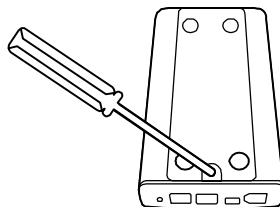
- 9) Ensure that the LED indicator is properly aligned with the opening on the front panel of the enclosure.



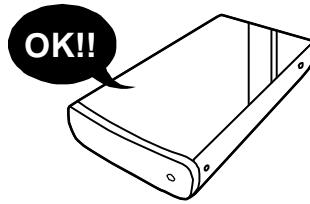
- 10) Reassemble the enclosure by replacing the (2) screws removed in step 1.



- 11) Fasten the last (1) screw to reattach the bottom panel.



12) The enclosure kit is now assembled and ready for connection to a computer.

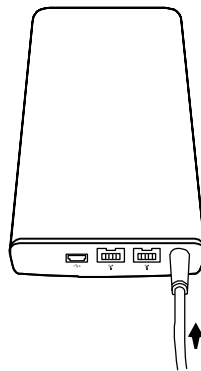


Connecting the Enclosure Kit to a Computer

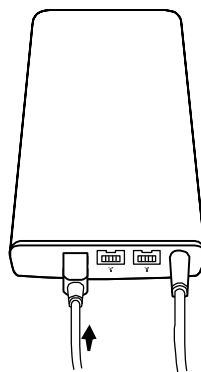
Complete the following steps to connect the enclosure to a host computer.

Standard Models

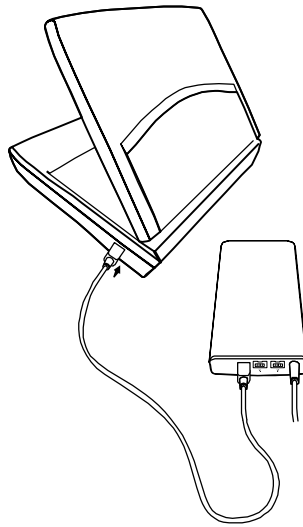
- 1) Connect the AC/DC power adapter; ensure that the green LED indicator is active. The orange LED indicator will blink during data transfer.




- 2) Insert the USB or IEEE 1394(b) connector into the corresponding port.

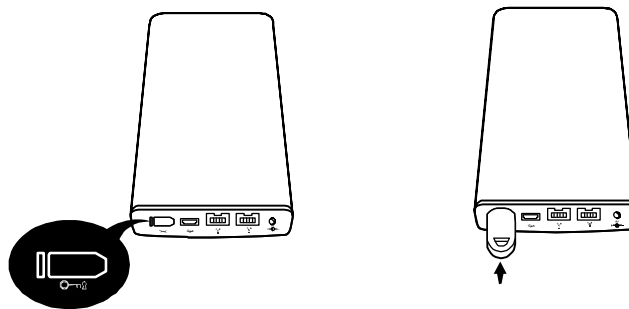


- 3) Insert the USB or IEEE 1394(b) connector into an available port on the computer.

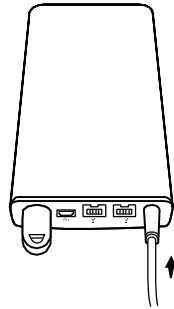


Encrypted Models

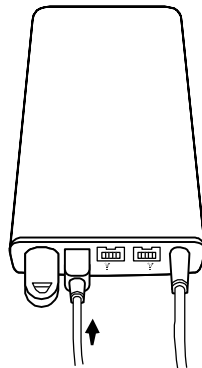
- 1) Insert the secure key into the security key port indicated by the secure key icon “” on the rear panel of the Enclosure Kit. As the shape of the security key port is very similar to the shape of the IEEE 1394 port, ensure that the secure key is inserted only into the security key port. Incorrect insertion into a port other than the designated security key port may result in damage to the secure key or other ports/equipment.



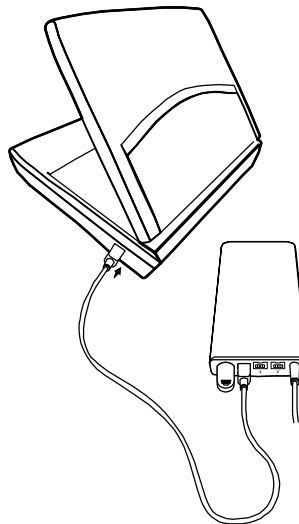
- 2) Connect the AC/DC power adapter; ensure that the green LED indicator is active. The orange LED indicator will blink during data transfer.



- 3) Insert one end of the USB or IEEE 1394(b) connector into a corresponding port on the enclosure.



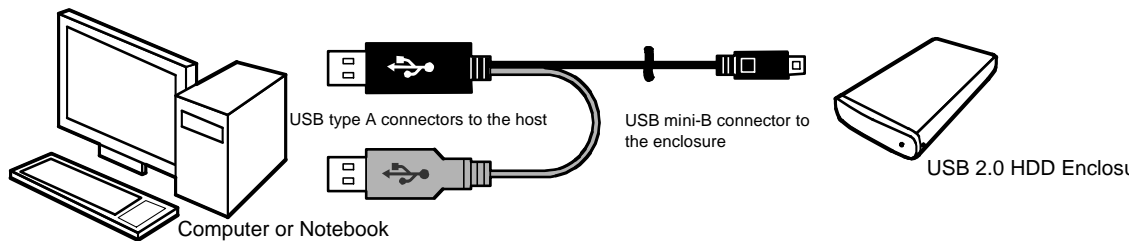
- 4) Insert the USB or IEEE 1394(b) connector into an available port on the computer.



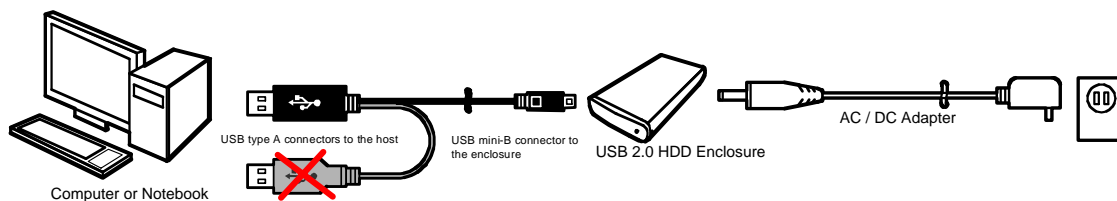
Note: If the LED indicator is red, security is not enabled. Ensure that the secure key is inserted before power on, and the enclosure is properly connected.

Using the USB Y-cable:

The USB Y-cable provides 2 USB type-A connectors and 1 USB mini-B connector. The 2 USB type-A connectors are inserted into two available USB ports on the computer. The USB Y-cable serves as both power supply and data transfer cable. The cable with **BLACK** square type-A connector supplies power and transfers data between the enclosure and the host computer. The remaining **GREY** type-A connector provides additional power from the host computer to the enclosure. The remaining USB mini-B connector is inserted into the port on the rear panel of the enclosure.



If you use the (optional) AC/DC adapter, only insert the **BLACK** square type-A connector of the USB Y-cable into the host. This will enable data transfer between the enclosure and the computer. The remaining **GREY** USB type-A connector will be idle.



Do **NOT** insert the remaining **GREY** type-A connector into the host when using the AC/DC power adapter.

Driver Installation Windows 98[®] SE

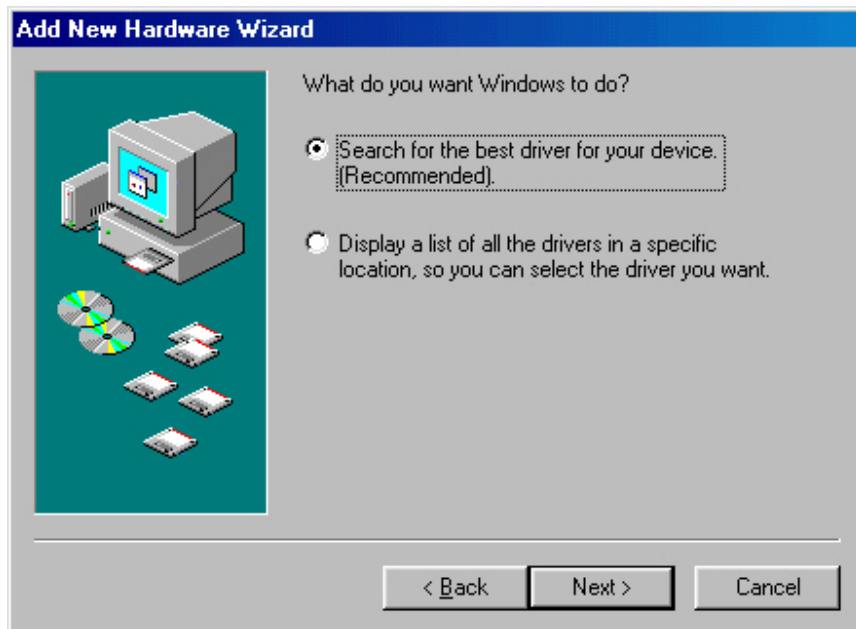
For USB 2.0 and USB 2.0/FireWire HDD enclosure users, after completing the hardware installation and assembly outlined in the previous section, Windows[®] 98SE users must install the appropriate USB storage driver by completing the following steps.

- 1) Download the driver from website at <http://www.onnto.com>
- 2) Save the .exe file to your computer.
- 3) Locate and double-click the .exe file.

- 4) Ensure that the enclosure is connected to the host computer. After connecting the enclosure the “Add New Hardware Wizard” will open and prompt you to search for the driver. Click “Next”.



- 5) Select “Search for the best driver for your device. (Recommended)” and click “Next”.



- 6) Check "Specify a location" and type the path to the driver in the textbox, or click "Browse" to locate the driver, then click "Next".
- 7) You will be prompted that Windows® is ready to install the driver. Click "Next".
- 8) You will be prompted that Windows® has finished installing the driver. Click "Finish" and proceed to the "Verify Installation" section of this manual.



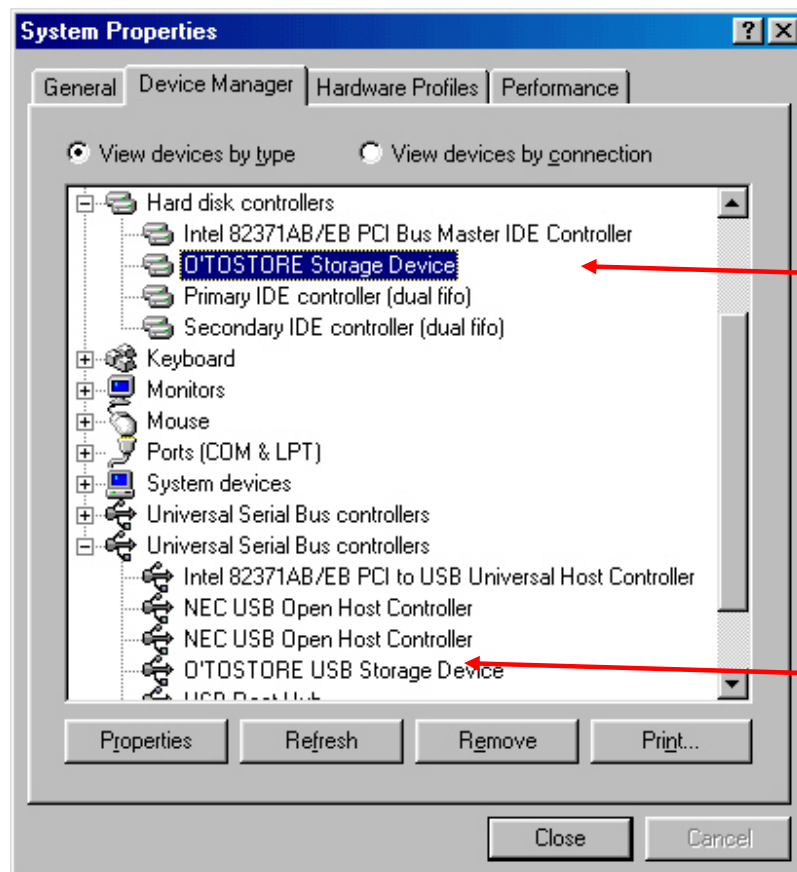
Verify Installation

After completing the USB storage driver installation steps as outlined in the previous section, verify that the installation was successful by doing the following:

- 1) Right-click the “My Computer” icon and select “Properties”.
- 2) Select the “Device Manager” Tab.
- 3) Expand the “Hard disk controllers” and “Universal Serial Bus controllers” items.

The list will contain the following controller:

- One (1) O'TOSTORE Storage Device
- One (1) O'TOSTORE USB Storage Device



Notices and Classifications

FCC-B Radio Frequency Interference Statement

This device complies with part 15 of the FCC rules. Operation is subject to the following two conditions:

- (1) This device may not cause harmful interference.
- (2) This device must accept any interference received, including interference that may cause undesired operation.

Note: This equipment has been tested and found to comply with the limits for a class B digital device, pursuant to part 15 of the FCC rules. These limits are designed to provide reasonable protection against harmful interference when the equipment is operated in a commercial environment. This equipment generates uses and can radiate radio frequency energy and, if not installed and used in accordance with the instruction manual, may cause harmful interference to radio communications.